

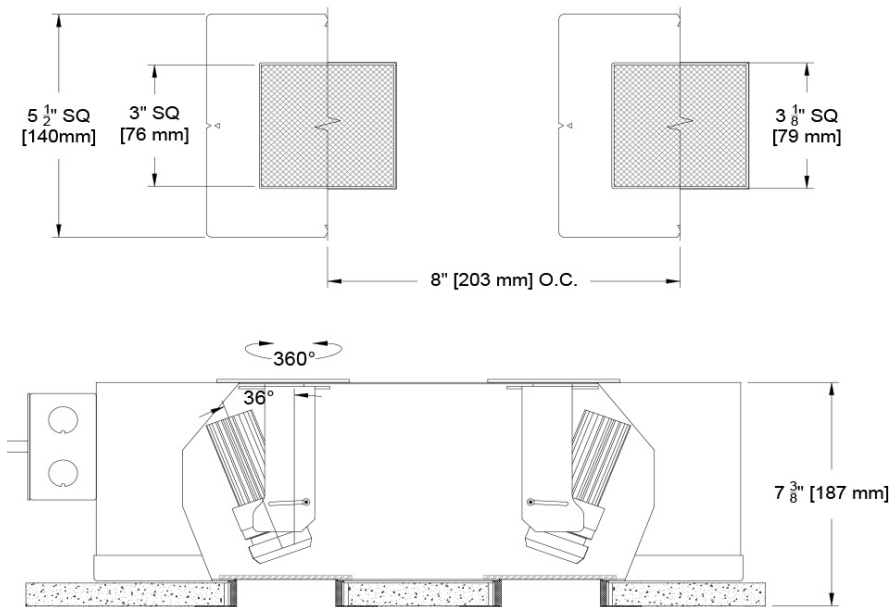
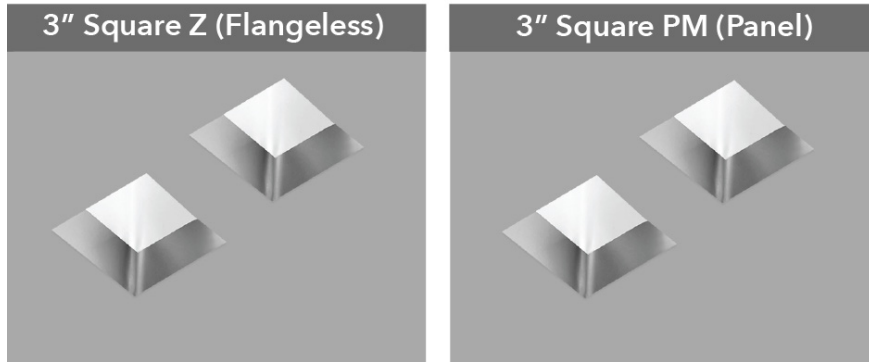
# Rivet 3" Square Multiple Adjustable Downlight (76mm)

Formerly 1369-2

2 Aperture Adjustable Recessed Accent/Downlight

## The Rivet Family

In Rivet you will find a captivating, precision driven lighting instrument with a distinctly styled aperture trim. Tailored to quietly enhance architectural spaces, its unique precision milled aluminum trim is available in all of our anodized finishes, as well as field paintable. The housing's thoughtful engineering includes a magnetically attached head with a precision tilt aiming mechanism and a sliding captured lens for use in wet locations such as showers. Source options include our 90+ CRI static white LED sources and our proprietary Ambient Dim chip. This family is available in round or square apertures and in single or double configurations.



PROJECT:

TYPE:

SPECIFIER:

DATE:

### Key Points (RV3MD-SA)

#### Trim

- Milled aluminum trims available in Flangeless or Flangeless Panel trim
- Three standard anodized finishes, clear, black and bronze, plus all of our custom anodized finishes.
- Trims are field paintable. We recommend specifying the Clear Anodize finish for trims that are to be field painted.
- Flangeless includes plaster flange with lip

#### Source / Optics

- Unique magnetic mounting of luminaire head promotes easy, full 360° rotational aiming, and allows toolless drop down of head for easy access to change optics and lens accessories, as well as driver servicing
- Precision engineered dual axis cam for vertical tilt aiming up to 36° allows luminaire to remain centered in aperture reducing beam clipping
- 3 beamspreads available - 20°, 28° and 40°
- Up to 1073 delivered lumens per head
- <2 MacAdam Steps (<2SDCM) for fixed white
- 90 CRI , 60+ R9 Standard- 95 CRI 90+R9 Optional
- 2700, 3000, 3500, 4000K and Ambient Dim (3000-1900k)
- L87B3>55,000 hours at 40°C Ambient

#### Housing

- Unique integral sliding lens within housing provides US Listed – Damp or wet with shower trim
- Heavy gauge aluminum for new construction
- IC Rated / Airtight Housing approved for use in direct contact with insulation – Chicago Plenum Available
- Supports California Title 24 part 6 compliance to JA8 requirements with airtight housing

#### Driver

- Phase, 0-10, DALI, or Ecosystem
- Flicker free to IEEE 1789-2015 available
- Prewired and integral to housing unless otherwise noted
- Universal 120-277v unless otherwise noted

## Photometric Table

All data below is based from goniometer measurement of production representative product. All lumen values can vary +/-10% from LED manufacturer rated nominal flux.

SQUARE Beamspreads	System watts (W)	20°				28°				40°			
		Delivered Lumens (lm)	Lumens/Watt	Peak CD	10% Field	Delivered Lumens (lm)	Lumens/Watt	Peak CD	10% Field	Delivered Lumens (lm)	Lumens/Watt	Peak CD	10% Field
Citizen C7	9	746	88	3554	54°	667	78	2145	61°	688	81	1455	64°
Citizen C11	13	1073	85	4823	55°	928	74	2895	62°	959	76	2030	64°
Ambient Dim A9	10	598	59	2124	60°	529	52	1382	64°	565	56	1159	64°
Ambient Dim A11	12	685	57	2470	50°	565	47	1603	54°	592	49	1341	53°

Ambient dim measured at full output. ISO cd Plots based upon C11 Source. Refer to photometry tab on product page for exact ISO cd plot and IES files. Data is based upon a single head aimed at 0°.

# Rivet 3" Square Multiple Adjustable Downlight (76mm)

Formerly 1369-2

2 Aperture Adjustable Recessed Accent/Downlight

## Ordering Codes

PROJECT:


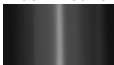

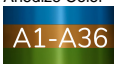
SPECIFIER:

DATE:

TYPE:

QUANTITY:

Ordering Code Example: RV3MD-SA-P-AU-C7-30-20-C1-A24-91L-97L

FIXTURE	TRIM	MOUNTING	SOURCE / WATTS	CTT	BEAM	DRIVER / CONTROL	TRIM FINISH	LENS ACCESSORIES	ACCESSORIES
RV3MD-SA									
Rivet 3" Square Multiple Adjustable Downlight	Z Flangeless Trim  P Panel Trim  * Aperture Shower Lens standard. Can be slid within housing to be open aperture.	AU ●● Universal IC/Airtight*  ●● California Title Compliant	<b>Citizen</b>  C7 ●● 9W 746Lm* 90+CRI, 60+R9  C11 ●● 13W 1073Lm* 90+CRI, 60+R9  <b>Ambient Dim</b>  A9 10W 598Lm* 95+CRI, 90+R9 3000 to 1900k  A11 12W 685Lm* 95+CRI, 90+R9 3000 to 1900k  Note: Wattage and lumen outputs listed above are per head  ●● Supports California Title 24 Compliance to JA8  * Based on 20" beam	<b>Citizen</b>  27 2700K  30 3000K  35 3500K  40 4000K  <b>Ambient Dim</b>  AD 3000-1900K	20 Spot  28 Narrow Flood  40 Flood	C1 0-10 1.0%, UNV (120-277V) linear  C2 ELV/Triac 1.0%, (120-277V) linear <b>EldoLED</b>  E1 0-10 0.1%, UNV (120-277V) log  E2 DALI-2 0.1%, UNV (120-277V) log  E3 0-10 0.1%, UNV (120-277V) linear  <b>Lutron</b>  LD Digital Ecosystem* 1.0%, UNV (120-277V) ECO Hi-Lume SoftOn/Fade-to-Black LDE1  LP Digital Ecosystem 0.1%, UNV (120-277V) ECO Premier Hi-Lume SoftOn/Fade-to-Black, PEQ0, 20W max  * remote driver only  Refer to Electrical Guide for wiring guidance and wire sizing charts for remote drivers.	A32 Clear Aluminum Anodize*   A01 Black Anodize   A24 Bronze Anodize   AXX Specialty Anodize Color^ 	<b>Reflector (lamp) Media</b>  91L Solite  93L Frosted  97L Black Hexcel Louver  XXL Other reflector (lamp) media*  Up to 2 lamp accessories can be selected.  *See Lens Accessory Guide	CP Chicago Plenum  EM Emergency Pack  <b>Controls</b>  LR Lutron Wireless RF PowPak  CA Casambi Wireless BLE to be paired with driver  * Consult factory with requirements for availability



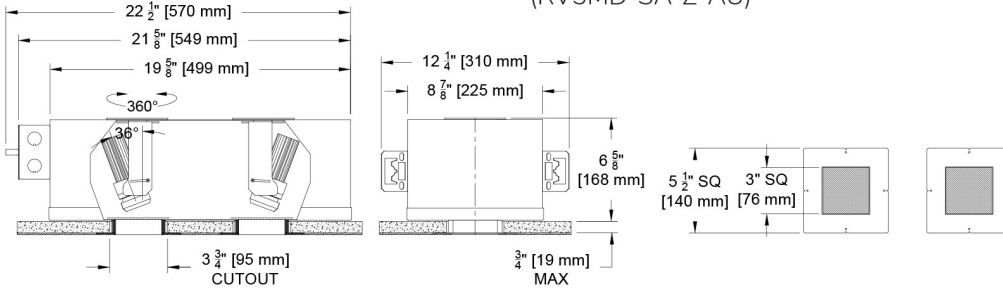
# Ceiling Cutouts and Dimensions

Trim Types Indicated by Drawing

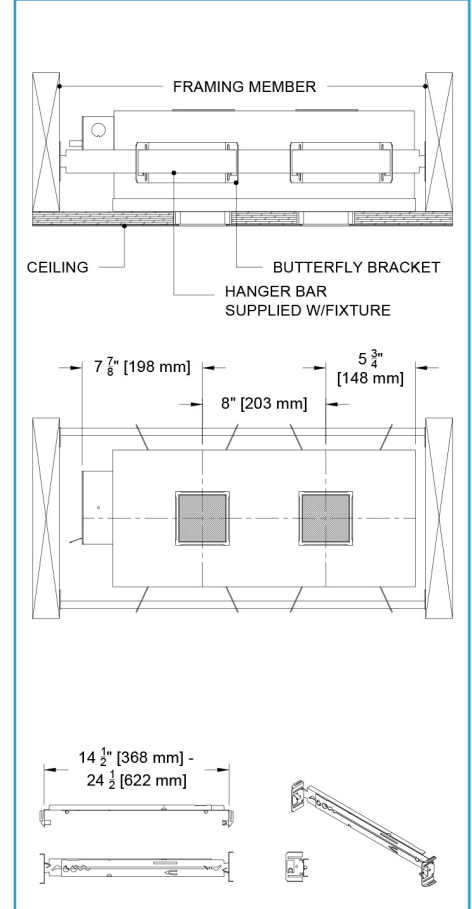
## 3" - 2 Head IC/Airtight Housing

### Flangeless Trim (Z)

(RV3MD-SA-Z-AU)



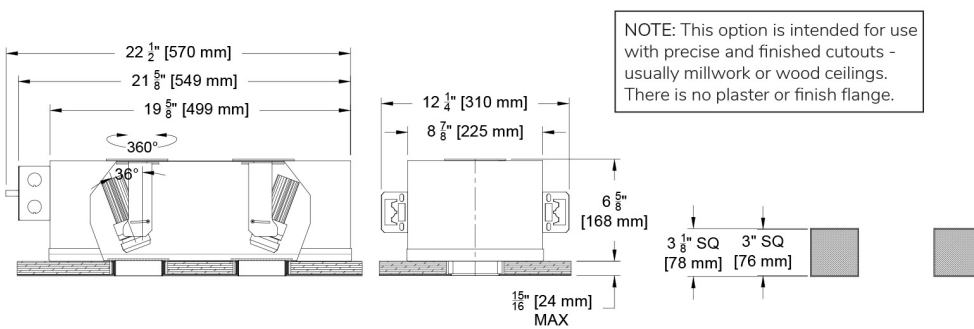
## Hanger Bar Detail



## 3" - 2 Head IC/Airtight Housing

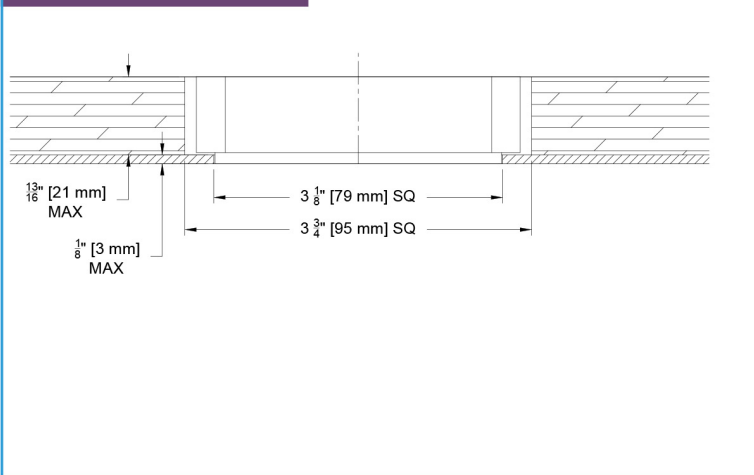
### Panel Trim (P)

(RV3MD-SA-P-AU)



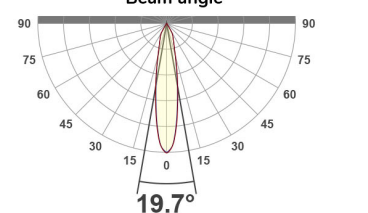
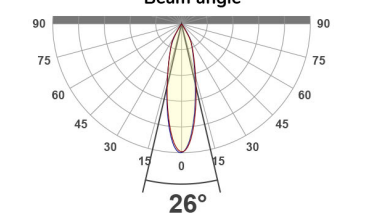
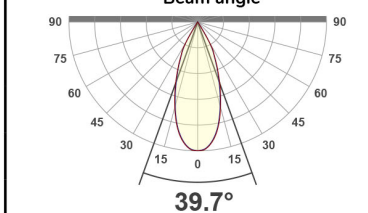
NOTE: This option is intended for use with precise and finished cutouts - usually millwork or wood ceilings. There is no plaster or finish flange.

## Panel Trim Detail



# Photometric Table

Values are based on a single aperture RV3D-RA. Multiple heads will deliver more light and will need to be accounted for individually in calculations. Calculations will require placing the second head (file) 8" on center from the first placed IES file. All Measurements are delivered or derived delivered lumens based on 3000k. Ambient dim at full output. All values can vary +/-10% from source manufacturer rated flux range.

SQUARE Beamspreads		20°				28°				40°			
Source	System watts (W)	Delivered Lumens (lm)	Lumens/ Watt	Peak CD	10% Field	Delivered Lumens (lm)	Lumens/ Watt	Peak CD	10% Field	Delivered Lumens (lm)	Lumens/ Watt	Peak CD	10% Field
Citizen C7	9	746	88	3554	54°	667	78	2145	61°	688	81	1455	64°
Citizen C11	13	1073	85	4823	55°	928	74	2895	62°	959	76	2030	64°
Ambient Dim A9	10	598	59	2124	60°	529	52	1382	64°	565	56	1159	64°
Ambient Dim A11	12	685	57	2470	50°	565	47	1603	54°	592	49	1341	53°
CCT Multiplier		Beam angle				Beam angle				Beam angle			
CCT	Citizen												
2700	0.95	<b>19.7°</b>				<b>26°</b>				<b>39.7°</b>			
3000	1.00												
3500	1.02												
4000	1.03												

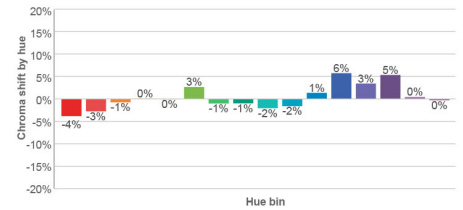
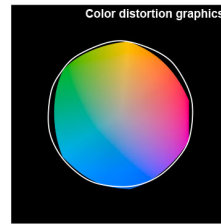
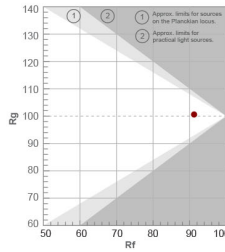
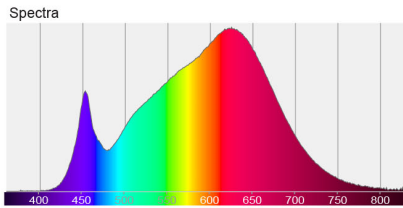
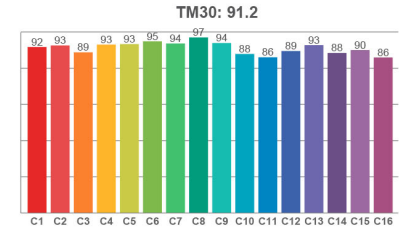
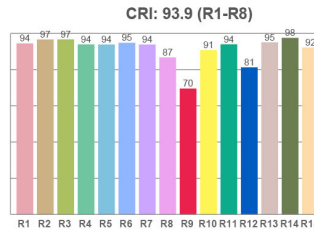
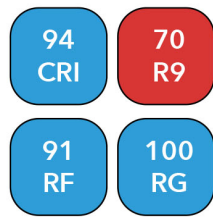
ISO cd Plots based upon C11 Source. Refer to photometry tab on product page for exact ISO cd plot and IES files.

# Color Data

All data is based from goniometer measurements of production representative product. All lumen values can vary +/- 10% from LED manufacturer rated data range. Measurements at 3000 CCT

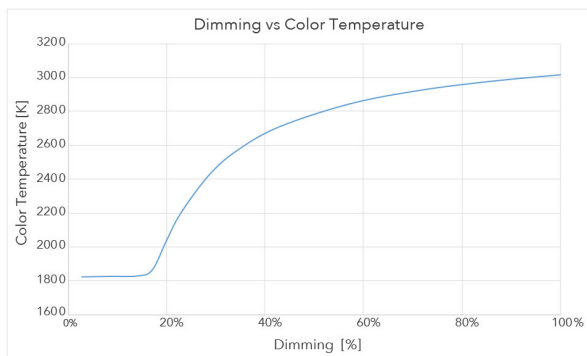
## Citizen Source C7, C11

- <2 MacAdam Ellipse (<2 SDCM)
- 90+ CRI and RF
- 60+R9, Hue Bin 1

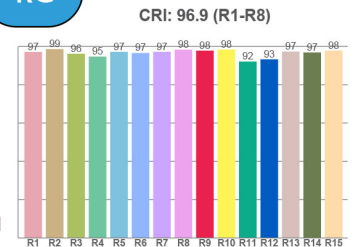
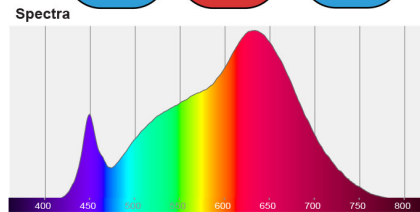


## Ambient Dim Source A9, A11 (AD - 3000k to 1900k)

- <3 MacAdam Ellipse (<3 SDCM)
- 95+ CRI and RF
- 90+R9, Hue Bin 1
- Follows Black Body Locus through dimming range



### 3000 CCT Full Output



### 1850 CCT 5% Output

